

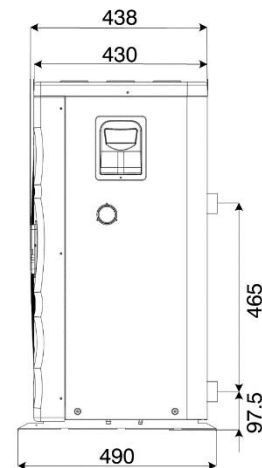
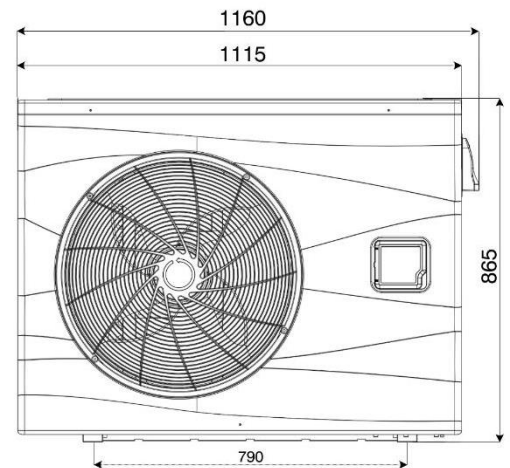


iX24 Heat Pump Specifications

Air 27°C Water 26°C	Heating Capacity	kW	3.1 ~ 24.6
	Consumed Power	kW	0.21 ~ 3.9

Air 19°C Water 26°C	Heating Capacity	kW	3.8 ~ 22
	Consumed Power	kW	0.45 ~ 3.8

Air 15°C Water 29°C	Cooling Capacity	kW	4.4 ~ 18.6
	Consumed Power	kW	0.6 ~ 3.7



Technical Specifications	Operating Air Temperature	°C	-7.0 ~ 43.0
	PV Ready		Yes
	Rapid Heat		Yes
	Refrigerant		R32
	IPX Rating		IPX4
	Airflow	m ³ /h	4500
	Sound Pressure at 1m	dB(A)	45 ~ 56
	Net Dimensions	L x W x H	1160 x 490 x 865
	Shipping Dimensions	L x W x H	1210 x 510 x 880
	Net / Shipping Weight	Kg	97 / 103
Electrical	Power Supply	V/Ph/Hz	240/1/50
	Electrical connection		Hardwired
	Running Current input	per phase amp	17.9
Water	Connection	mm	40
	Flow Volume	l/m	110
	Pressure Drop	max kPa	14.0